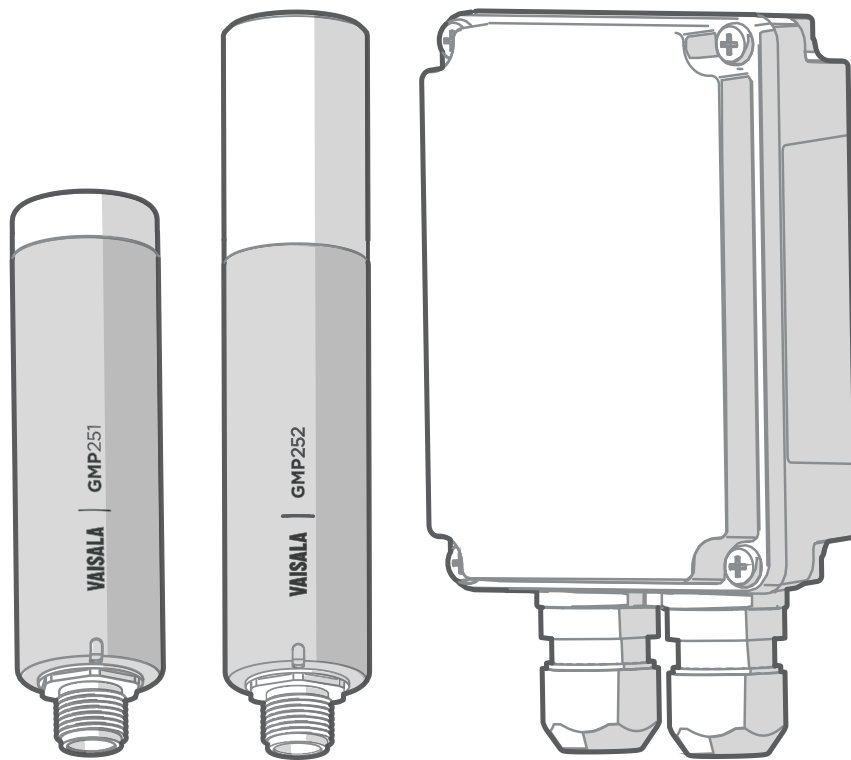


Quick Guide

GMP251 and GMP252
Relay Box for GMP250 Carbon Dioxide Probes



PUBLISHED BY

Vaisala Oyj
Vanha Nurmijärventie 21, FI-01670 Vantaa, Finland
P.O. Box 26, FI-00421 Helsinki, Finland
+358 9 8949 1

© Vaisala Oyj 2018

No part of this manual may be reproduced, published or publicly displayed in any form or by any means, electronic or mechanical (including photocopying), nor may its contents be modified, translated, adapted, sold or disclosed to a third party without prior written permission of the copyright holder. Translated manuals and translated portions of multilingual documents are based on the original English versions. In ambiguous cases, the English versions are applicable, not the translations.

The contents of this manual are subject to change without prior notice.

Local rules and regulations may vary and they shall take precedence over the information contained in this manual. Vaisala makes no representations on this manual's compliance with

the local rules and regulations applicable at any given time, and hereby disclaims any and all responsibilities related thereto.

This manual does not create any legally binding obligations for Vaisala towards customers or end users. All legally binding obligations and agreements are included exclusively in the applicable supply contract or the General Conditions of Sale and General Conditions of Service of Vaisala.

This product contains software developed by Vaisala or third parties. Use of the software is governed by license terms and conditions included in the applicable supply contract or, in the absence of separate license terms and conditions, by the General License Conditions of Vaisala Group.

1. Relay Box Quick Guide

1.1 Overview

The GMP250 relay box allows using the analog current (mA) output channel of Vaisala CARBOCAP® Carbon Dioxide Probes GMP251 and GMP252 for relay control.

The voltage (V) output channel is not used for relay control with the relay box: the voltage channel provides CO₂ measurement output (feedthrough via the relay box) in the same manner as when wired directly without the relay box.

The relay configuration (activation and release limits, error state output) is done using GMP251/252 serial line interface commands.

Table 1 GMP250 Relay Box Specifications

Property	Specification
Maximum switching voltage	50 VDC, 50 VAC
Maximum switching power	30 W, 30 VA
Number of relays	1
Probe output to relay	<ul style="list-style-type: none"> • Current output to relay control: ppm CO₂ • Voltage output through the relay box: ppm CO₂ or % CO₂
Probe power supply requirements	20 ... 30 VDC supplied through the relay box
Relay configuration interface	Serial line (Vaisala Industrial Protocol)

Using GMP251/252 for relay control requires using the Vaisala Industrial Protocol serial line interface to configure the probe to use relays, and wiring the probe to send output and receive power through the relay box.

- For instructions on carrying out the serial line configuration, see [Serial Line Configuration \(page 4\)](#).
- For wiring instructions, see [Probe and Relay Box Wiring \(page 10\)](#).



This Quick Guide instructs how to carry out the serial line configuration and wiring related to using the current output for relay control. For more information on GMP251/252 serial line commands and other functionalities, see the user documentation of the probes:

- *GMP251 User Guide (M211799EN)*
- *GMP252 User Guide (M211897EN)*

1.2 Serial Line Configuration

To enable relay operation, you must use a terminal program (for example, PuTTY) to set the GMP251/252 serial mode to relay communication and configure the relay settings. Using serial line (Vaisala Industrial Protocol) to configure the probe requires the following:



- Vaisala USB service cable (order code 242659)
- Computer with:
 - Windows operating system
 - Terminal application (for example PuTTY, available from www.vaisala.com/software)
 - Free USB port
 - Driver for Vaisala USB service cable installed (available on the cable installation media and at www.vaisala.com/software)

The default serial interface settings are shown in the following table.

Table 2 Default Serial Interface Settings

Property	Description/Value
Bit rate	19200
Parity	None
Data bits	8
Stop bit	1
Flow control	None



For more detailed instructions on connecting to GMP251/GMP252 with a computer and using the serial line interface, see the User Guides of the probes.

1.3 Configuring Relays with Serial Line

To enable relay control with the current output channel and set the relay configuration, follow the instructions below for the relevant software version.

More Information

- [Configuring Relays with GMP250 Software Version 1.3.1 or Later \(page 5\)](#)
- [Configuring Relays with GMP250 Software Version 1.2.9 \(page 7\)](#)

1.3.1 Configuring Relays with GMP250 Software Version 1.3.1 or Later



Use the **rsel** command (not the **asel** command) to set the analog output channel to current (mA).

- ▶ 1. Connect GMP251/GMP252 to a computer with USB service cable 242659 and open a terminal connection (for example, PuTTY).
2. Enable advanced configuration commands with the **pass 1300** command.
3. Set the serial mode of the analog current output channel (2) to relay control with the following command: **smode relay2**

4. Configure the current output channel's relay settings with the **rsel** command:

```
rsel [channel parameter release_ppm set_ppm release_value set_value
startup_value error_value]
```

- **channel** = analog output channel: set to **2** (current)
- **parameter** = the parameter that controls the relay: set to **co2**
- **release_ppm** = CO₂ ppm level at which the relay is released
- **set_ppm** = CO₂ ppm level at which the relay is activated
- **release_value** = the current output (mA) when the relay is released
- **set_value** = the current output (mA) when the relay is activated: set to **12**
- **startup_value** = during probe start-up, if the CO₂ ppm level falls between the **release_ppm** and **set_ppm** values, **startup_value** shows the state of the relay (mA): the relay is either activated, released, or in error state.
- **error_value** = the current output when the probe is in error state



The relay mode of GMP251 and GMP252 probes has been designed to use 12 mA as the relay control current. Use only 12 mA for the **set_value** configuration when using the relay box with GMP251 and GMP252.

Example:

Set the analog output channel 2 (current) to control relay operation with the following settings:

- The relay is activated when the measurement is over 10100 ppm CO₂ and released when under 9900 ppm CO₂. Setting these relay activation limits means using a 1% CO₂ (10 000 ppm CO₂) relay setpoint with a hysteresis of ±1% (100 ppm CO₂).
- The output current is 0 mA when the relay is released.
- The output current is 12 mA when the relay is activated.
- The output current is 12 mA if during probe start-up CO₂ ppm level is between 9900 and 10100 ppm.
- The output current is 0 mA when the probe is in error state.

Enter the following commands:

```
pass 1300
smode relay2
rsel 2 co2 9900 10100 0 12 12 0
```

1.3.2 Configuring Relays with GMP250 Software Version 1.2.9



Use the **rsel** command (not the **asel** command) to set the analog output channel to current (mA).

- ▶ 1. Connect GMP251/GMP252 to a computer with USB service cable 242659 and open a terminal connection (for example, PuTTY).
2. Enable advanced configuration commands with the **pass 1300** command.
3. Set the serial mode of the analog current output channel (2) to relay control with the following command: **smode relay2**
4. Configure the current output channel's relay settings with the **rsel** command:

```
rsel [channel parameter release_ppm set_ppm set_value error_value]
```

- **channel**= analog output channel: set to **2** (current)
- **parameter** = the parameter that controls the relay: set to **co2**
- **release_ppm** = CO₂ ppm level at which the relay is released
- **set_ppm** = CO₂ ppm level at which the relay is activated
- **set_value** = the current output (mA) when the relay is activated: set to **12**
- **error_value** = the current output when the probe is in error state



The relay mode of GMP251 and GMP252 probes has been designed to use 12 mA as the relay control current. Use only 12 mA for the **set_value** configuration when using the relay box with GMP251 and GMP252.

Example:

Set the analog output channel 2 (current) to control relay operation with the following settings:

- The relay is activated when the measurement is over 10100 ppm CO₂ and released when under 9900 ppm CO₂. Setting these relay activation limits means using a 1 % CO₂ (10 000 ppm CO₂) relay setpoint with a hysteresis of ±1 % (100 ppm CO₂).
- The output current is 12 mA when the relay is activated.
- The output current is 0 mA when the probe is in error state.

Enter the following commands:

```
pass 1300  
smode relay2  
rsel 2 co2 9900 10100 12 0
```

1.3.3 Serial Line Mode Commands



Only serial mode commands related to relay operation are presented here. For other serial mode configuration options, see the User Guides of the GMP251/252 probes.

Table 3 Smode Command

Syntax	Description
smode <cr>	Shows the current start-up operating mode of the serial line.
smode [mode]<cr>	Set serial line start-up operating mode. The new mode is taken into use when the device is reset or powered up. Note: only use the RELAY2 option. Available modes: RELAY1 = Voltage output channel: do not use for relay control with the GMP250 relay box. RELAY2 = Set analog output channel 2 (current) to relay control: use only this option with the relay box.
Example (set serial mode to "RELAY2" (channel 2 current output)):	
<pre> smode RELAY2 Serial mode : RELAY2 </pre>	

1.3.4 Relay Configuration Commands

Table 4 Rsel Command for GMP250 Software Version 1.3.1 or Later

Syntax	Description
rsel [channel]<cr>	Show current relay settings. channel = Analog output channel

Syntax	Description
<pre>rsl [channel parameter release_ppm set_ppm release_value set_value startup_value error_value]<cr></pre>	<p>Configure relay operation of the channel.</p> <p>channel = Analog output channel</p> <ul style="list-style-type: none"> • 1 = voltage output (V): not used with relay • 2 = current output (mA): only use this option with the relay box. <p>parameter = The parameter that is output on analog channel. The only option is CO2 (in ppm).</p> <p>release_ppm = CO₂ level at which the relay is released.</p> <p>set_ppm = CO₂ level at which the relay is activated.</p> <p>release_value = The current output (mA) when the relay is released.</p> <p>set_value = Current (mA) output when the relay is activated. Set to 12 when using the relay box with GMP251/252.</p> <p>startup_value = During probe start-up, if the CO₂ ppm level falls between the release_ppm and set_ppm values, startup_value shows the state of the relay (mA): the relay is either activated, released, or in error state.</p> <p>error_value = The current (mA) that is output when the probe is in an error state.</p>

Table 5 Rsel Command for GMP250 Software Version 1.2.9

Syntax	Description
<pre>rsl [channel]<cr></pre>	<p>Show current relay settings.</p> <p>channel = Analog output channel</p>
<pre>rsl [channel parameter release_ppm set_ppm set_value error_value]<cr></pre>	<p>Configure relay operation of the channel.</p> <p>channel = Analog output channel</p> <ul style="list-style-type: none"> • 1 = voltage output (V): not used with relay • 2 = current output (mA): only use this option with the relay box. <p>parameter = The parameter that is output on analog channel. The only option is CO2 (in ppm).</p> <p>release_ppm = CO₂ level at which the relay is released.</p> <p>set_ppm = CO₂ level at which the relay is activated.</p> <p>set_value = Current (mA) output when the relay is activated. Set to 12 when using the relay box with GMP251/252.</p> <p>error_value = The current (mA) that is output when the probe is in an error state.</p>



The relay mode of GMP251 and GMP252 probes has been designed to use 12 mA as the relay control current. Use only 12 mA for the **set_value** configuration when using the relay box with GMP251 and GMP252.

1.4 Probe and Relay Box Wiring

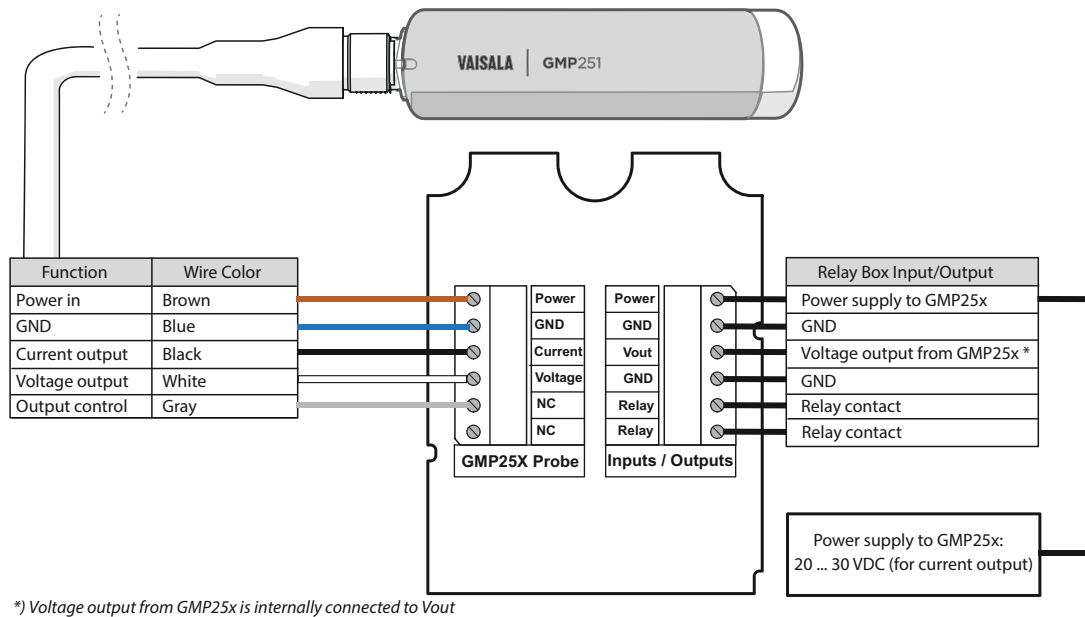


Figure 1 Probe and Relay Box Wiring

1. Open the relay box screws and remove the cover.
2. Lead the GMP251/252 probe connection cable with open wires (223263SP/244669SP/216546SP) through the left cable gland and connect the open wires to the screw terminals as shown in [Figure 1 \(page 10\)](#).
3. Lead the relay box input/output cable through the right cable gland and connect the wiring as shown in [Figure 1 \(page 10\)](#).



CAUTION! Do not switch on the power supply before you have completed the wiring and reattached the relay box cover.

4. After the wiring is complete, reattach the relay box cover and switch on the 20 ... 30 VDC power supply.

1.5 Relay Box Dimensions

The relay box dimensions are given in millimeters (mm).

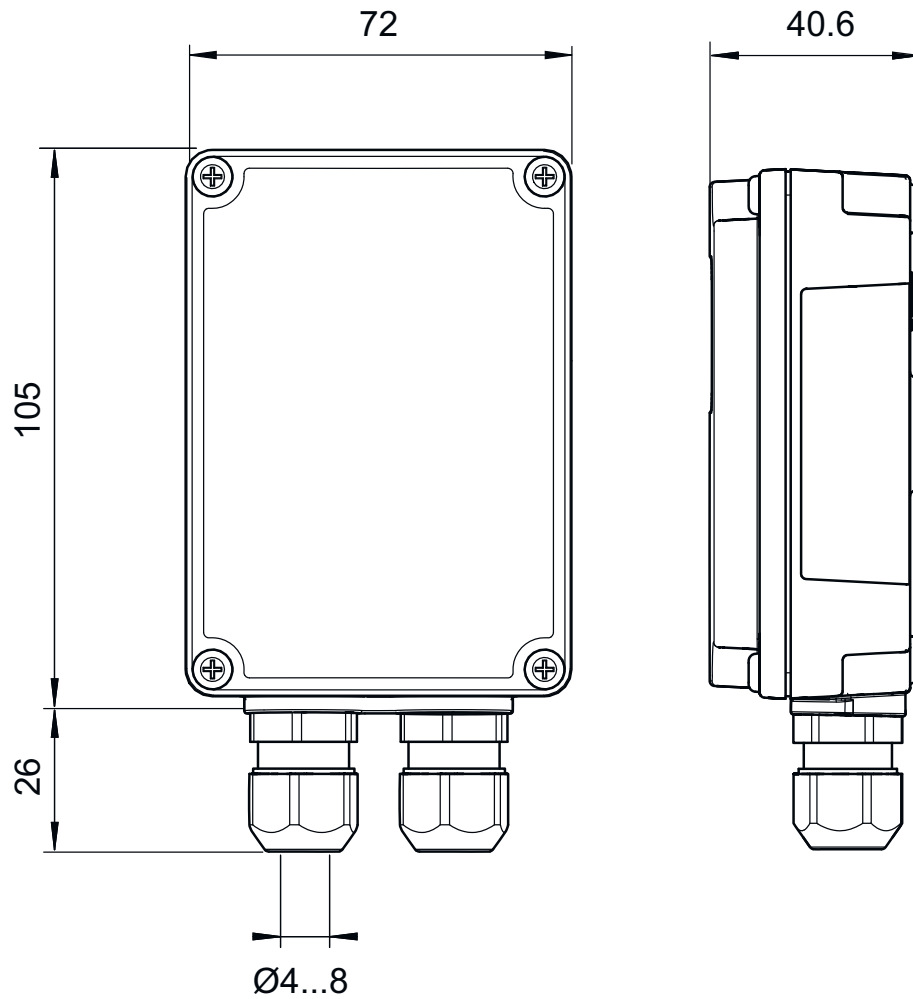


Figure 2 GMP250 Relay Box Dimensions

VAISALA

